



SPS30000

30mt lifting moment

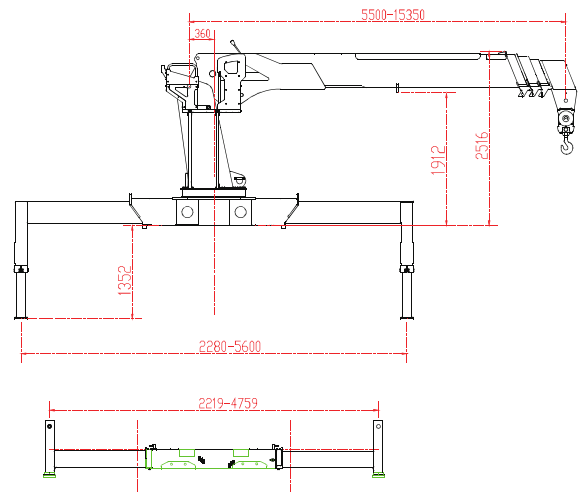
- Longer boom, specific technique, strong suspended capacity, wide work range
- Dual pump hydraulic system, suitable for various working condition, high efficiency
- A design of ergonomics, simplified operation, high humanized
- Structure optimized, lower weight, high transport capacity
- Wide spacing between outriggers, high stability
- Global supply chains, advanced configuration, high quality
- Elegant design, sophisticated technologies, extraordinary durable
- Suitable for various well-known chassis manufacturer like DONGFENG, FAW

5.6m
Front stabilizer
spread

17.1m
Max. lifting
height

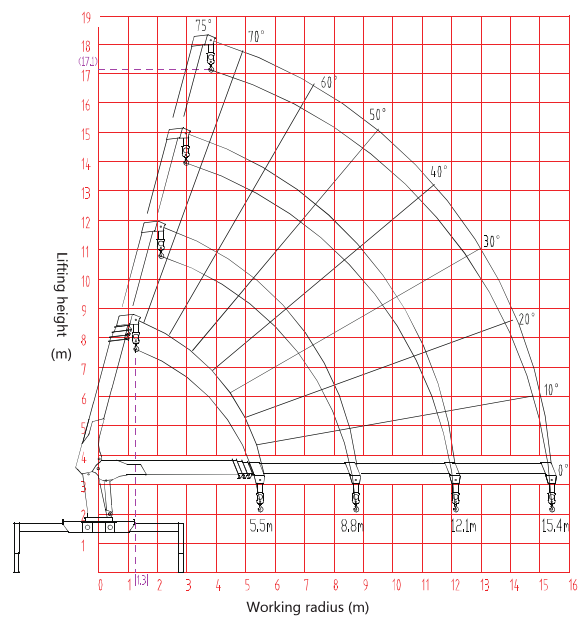
Technical specifications

Item	Unit	SPS30000
Max.Lifting capacity/working radius	kg/m	12000/2.5
Max.Lifting moment	T.m	30
Type of boom	hydraulic drive 、 synchronous extension	
Boom extentions	Section	4
Full unfolded&folded time	s	27/23.3
Luffing range	°	0-75°
Front stabilizer spread	m	5.6
Back stabilizer spread (option)	m	4.8
Max. Lifting height	m	17.1
Max. Working radius	m	15
Operating pressure	Mpa	28
Hydraulic oil tank capacity	L	180
Dead weight	KG	4500
Fitting space required	mm	1350
Slewing angle	°	360° rotating free



Lifting performance specifications

SPS30000 Total rated lifting load for boom				
Range (m)	Full-extend outriggers, over side and rear			
	5.5m	8.8m	12.1m	15.4m
2.5	12000	7000		
3	10200	7000	5500	
3.5	8800	6900	5500	3870
4	7700	6500	5500	3870
4.5	6800	5850	5120	3870
5	6100	5320	4700	3870
5.5		4841	4400	3830
6		4416	4117	3720
6.5		4100	3778	3509
7		3750	3505	3256
7.5		3450	3276	3036
8		3200	3069	2838
8.5		3000	2900	2673
9			2730	2530
9.5			2550	2398
10			2400	2266
10.5			2250	2156
11			2130	2068
11.5			2000	1960
12				1880
12.5				1800
13				1720
13.5				1620
14				1530
14.5				1450
15				1360
Recommended ratio	6	4	4	2



- ① Because of frequent technical updates, there will be no additional notification if material configurations and technical standards change. The machine on the photo may include additional equipments. This brochure is only for reference, please refer to the real equipments.
- ② Crane operation panel no matter right and left.