

# LIFETIME EXCELLENCE

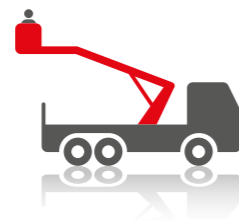
THE RESULT IS **PALFINGER ACCESS PLATFORMS** FEATURING THE MOST STATE-OF-THE-ART HEIGHT TECHNOLOGY THAT ACHIEVE ABSOLUTE PEAK PERFORMANCES, EVEN WHEN CONFRONTED WITH THE MOST DIFFICULT OF JOBS IN PRACTICE. **DEVELOPED FOR THE GLOBAL MARKET, DESIGNED FOR THE FUTURE.**

BETTER SOLUTIONS

BETTER EFFICIENCY

BETTER ERGONOMICS

HIGHER VALUE RETENTION



HIGHER AVAILABILITY

HIGHER SERVICEABILITY

BETTER ECOLOGY

MORE RELIABILITY

For further information please visit: [www.palfinger.com/thebrand](http://www.palfinger.com/thebrand)

## P 130 A *Smart*

**PALFINGER**

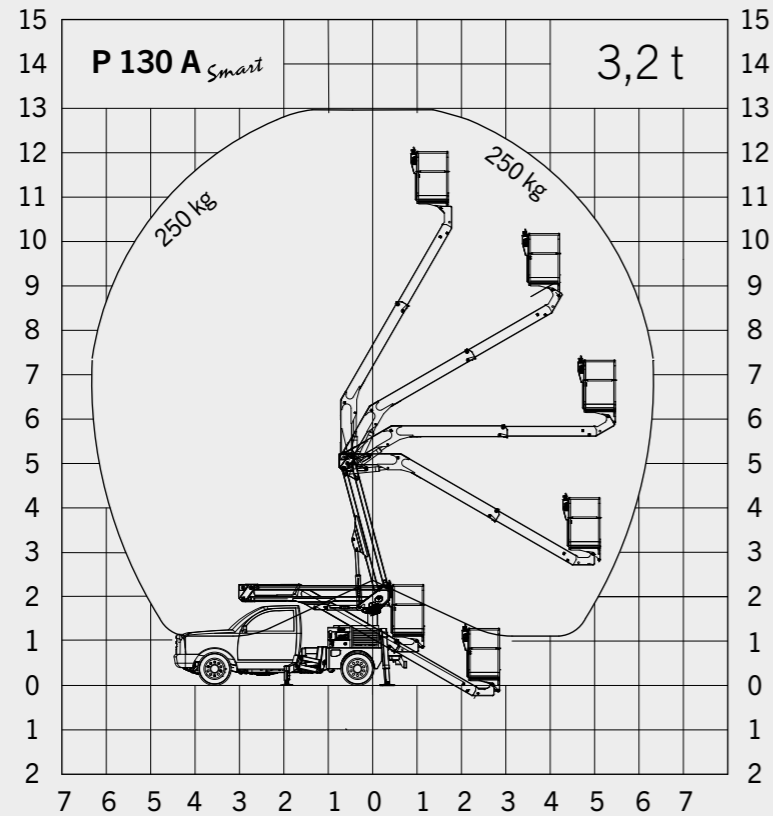
LIFETIME EXCELLENCE

## RELIABILITY, SAFETY AND PERFORMANCE ON ANY TERRAIN

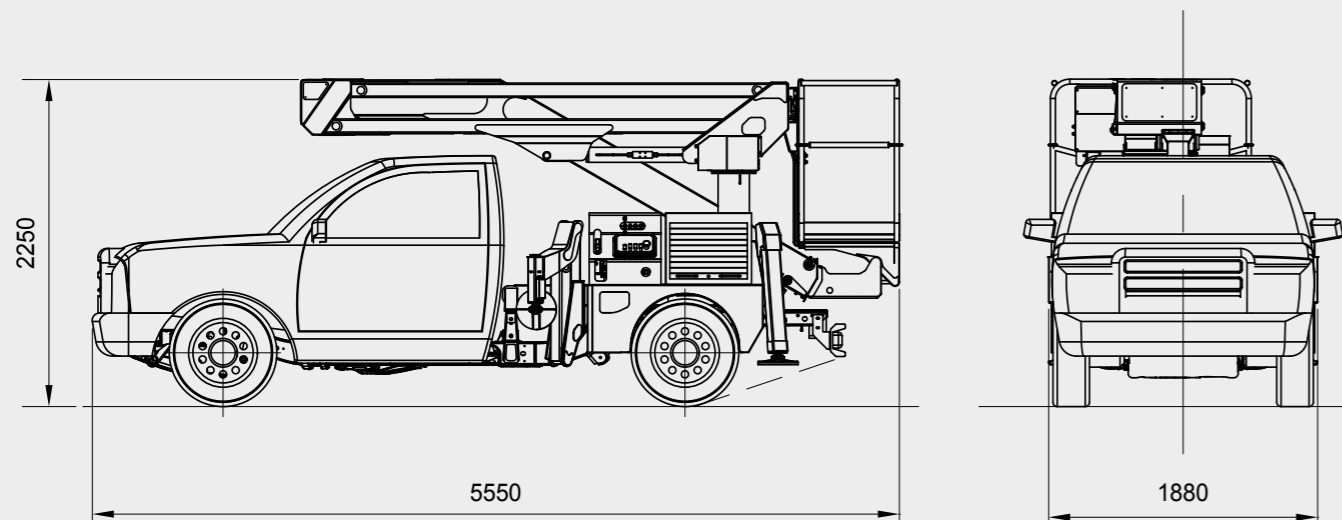




## WORKING DIAGRAMS



## DIMENSIONS



- Suitable for use in many different conditions
- Compact structure, easy to use
- Ultra low barycenter for maximal stability while driving on and off road
- Fully hydraulic operation
- Ergonomic design
- Great versatility for use at height
- Exceptional guide manoeuvrability
- Workplace safety
- PALFINGER professional quality

## TECHNICAL SPECIFICATIONS

Maximum working height	13 m
Maximum cage floor	11 m
Maximum lateral outreach	6,3 m
Angle of main boom	-20° + 80°
Turntable rotation	max 360° (not continuous)*
Basket capacity	250 kg*
Basket dimensions	1,4 x 0,7 x 1,1 m
Height in transport conditions	2,25 m*
Width in transport conditions	1,88 m*
Length in transport conditions	5,55 m*
GVW	3200 kg*

\* Depending on the installation

## OPTIONAL

Fiberglass basket	
Insulation 1000 V	
Adjustable 60 W headlamp on the basket	
Paint upon request by the client, aerial part	
Toolbox with rolling shutter	
Bordering	
Ladder to climb to the basket in stow position	
Emergency electropump connected to the battery	